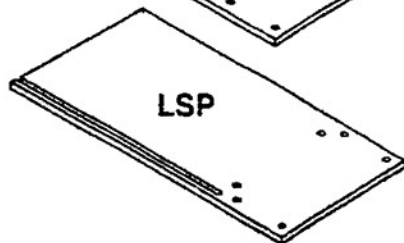
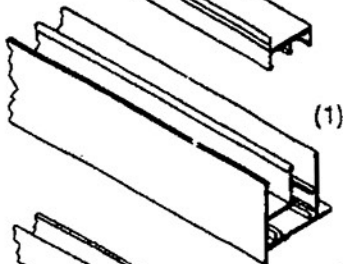
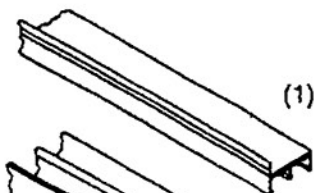
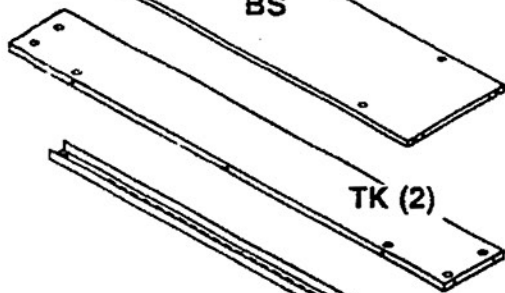
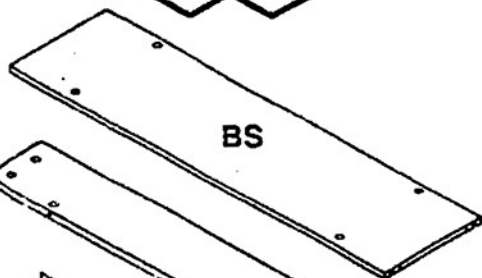
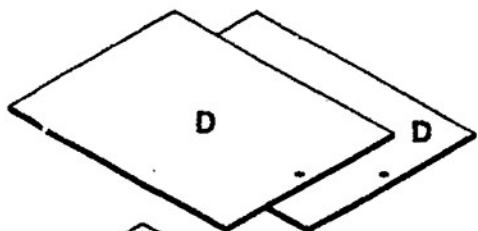
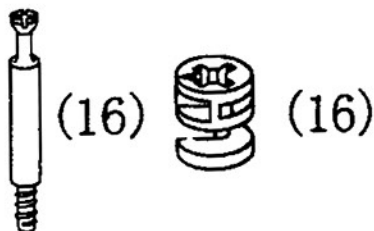


PARTS LIST

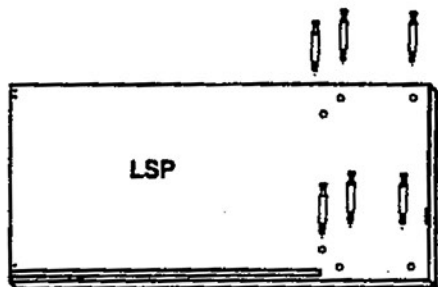
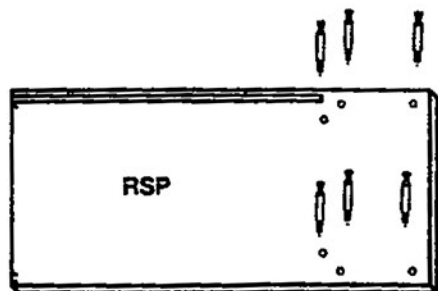
PARTS & QUANTITIES SHOWN ARE FOR ONE COMPLETE SHOWCASE UNIT. GLASS PANELS, FELT STRIP AND PLASTIC GASKET NOT FURNISHED WITH THIS KIT.



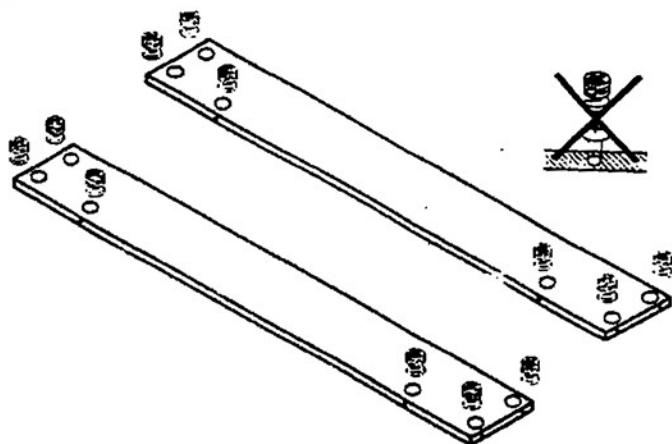
(2) For 4-ft. Showcase unit
(3) For 5-ft. & 6-ft. Showcase unit

TOOLS REQUIRED

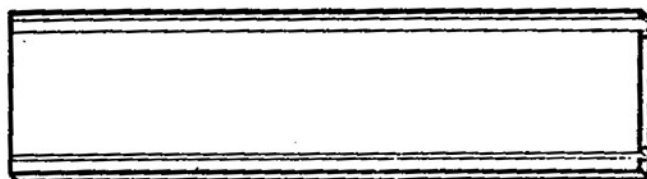
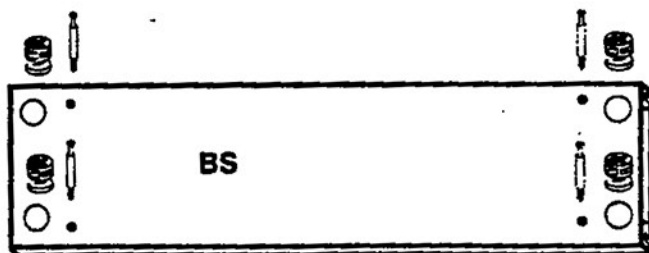
1



2



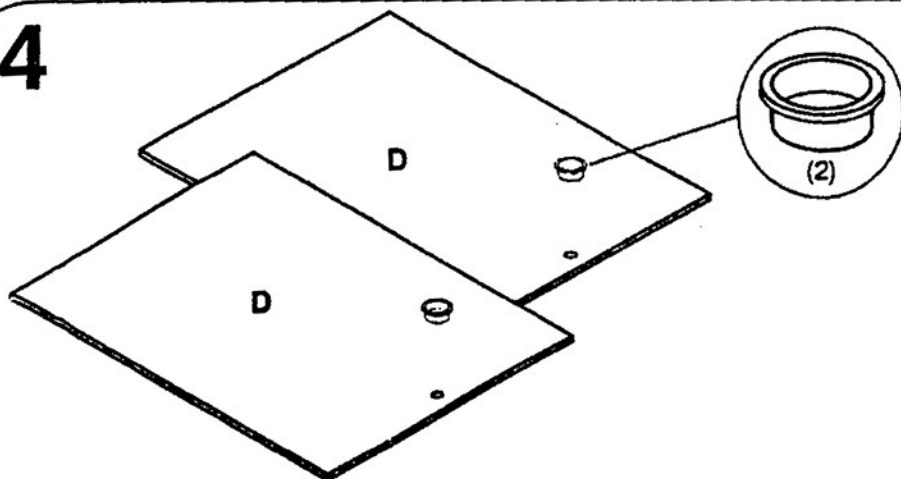
3



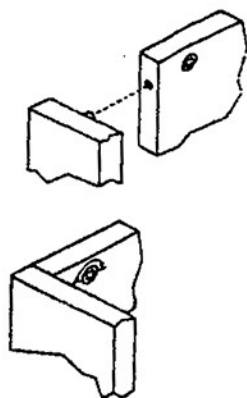
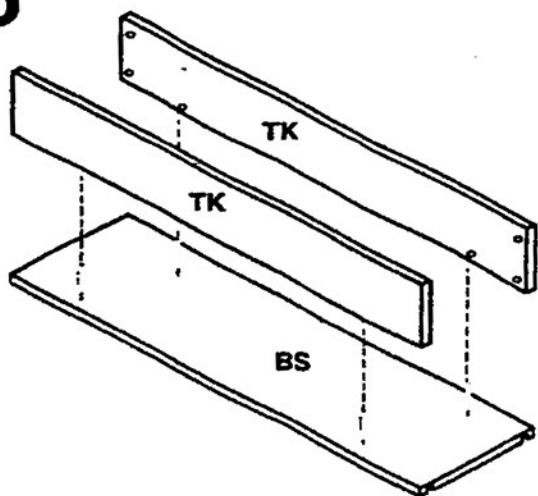
6mm groove

2mm groove

4

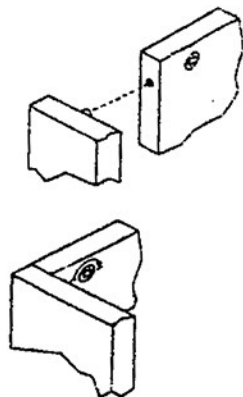
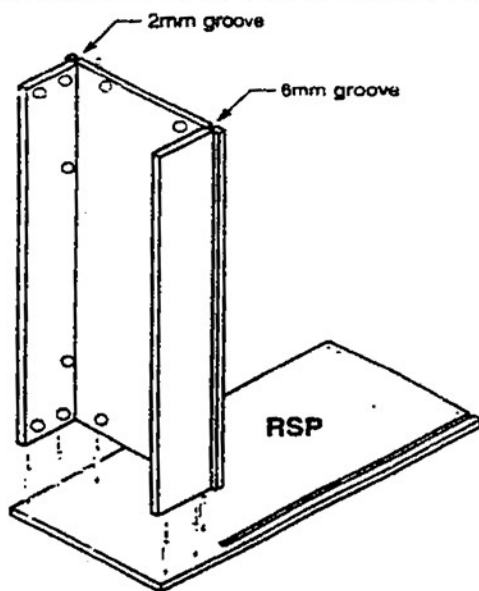


5



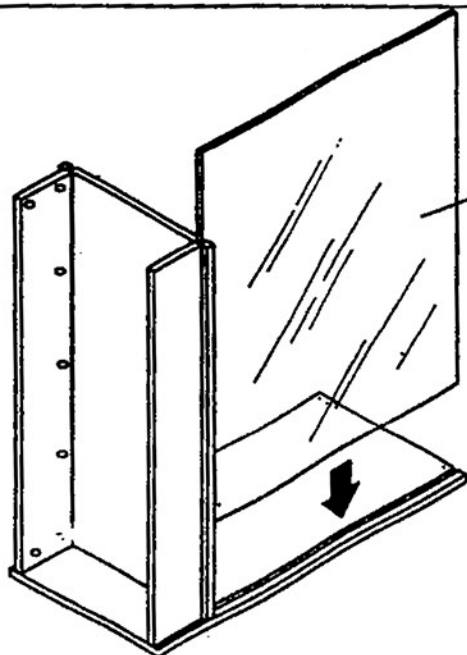
Fasten panels together and
make sure all cams are locked.

6



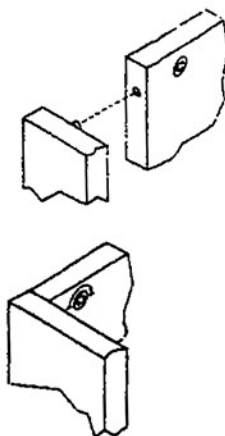
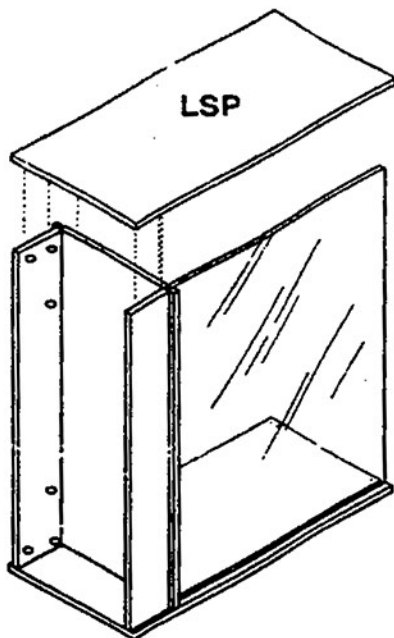
Fasten panels together and
make sure all cams are locked.

7



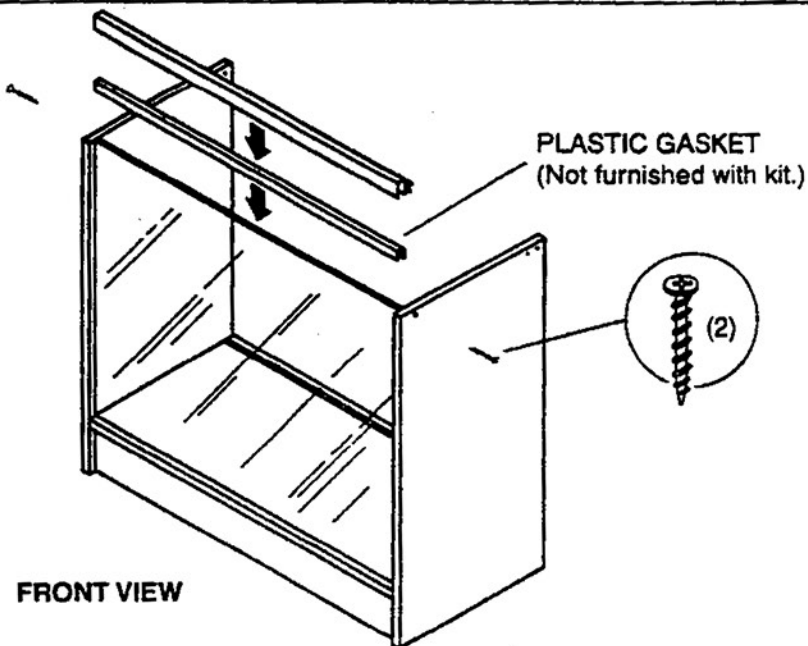
FRONT GLASS PANEL
(Not furnished with kit.)

8

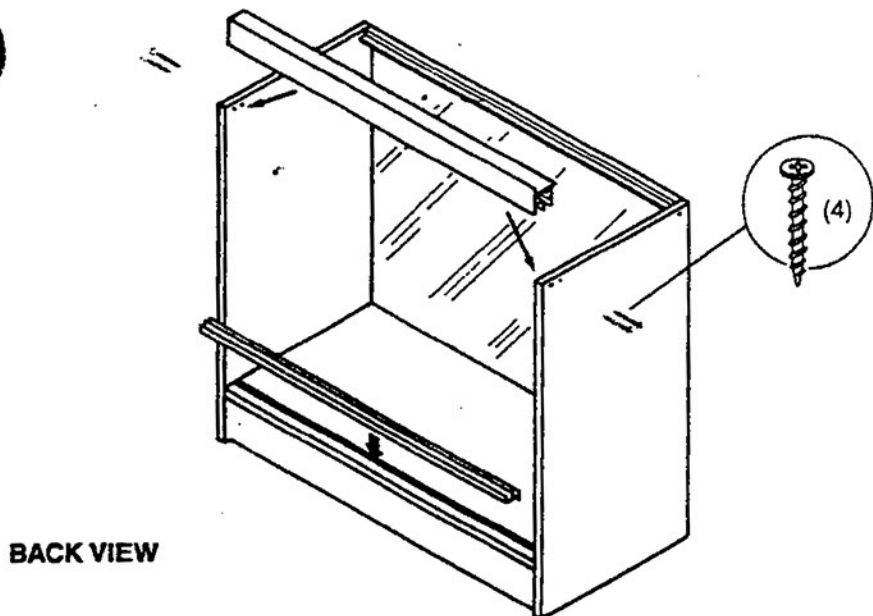


Fasten panels together and
make sure all cams are locked.

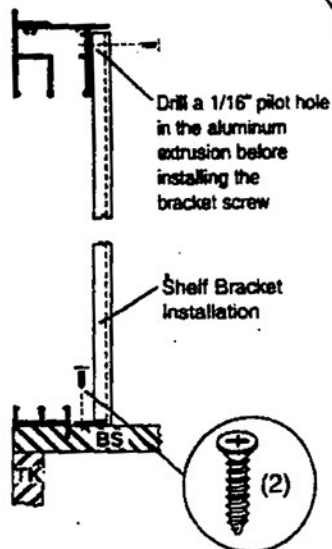
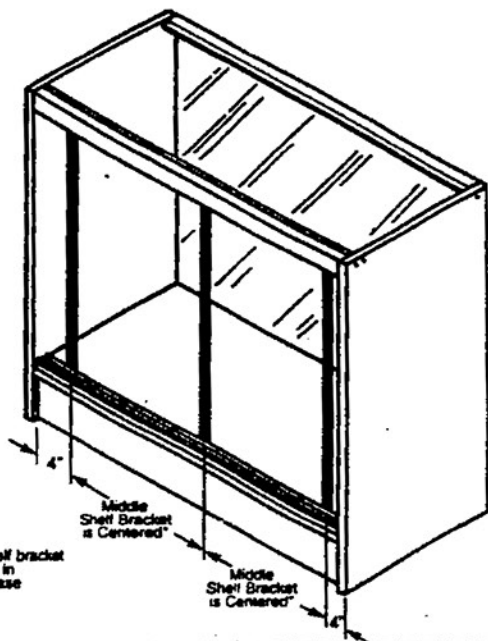
9



10



11



12

