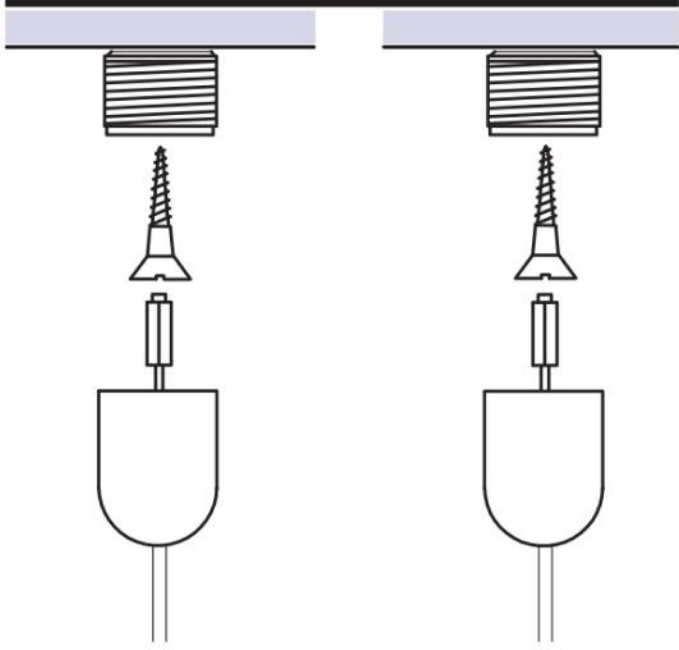


# ASSEMBLY INSTRUCTION

## For LED Light Pockets

### 1. Fixing the 2 top ceiling bolts with correct location and distance between them

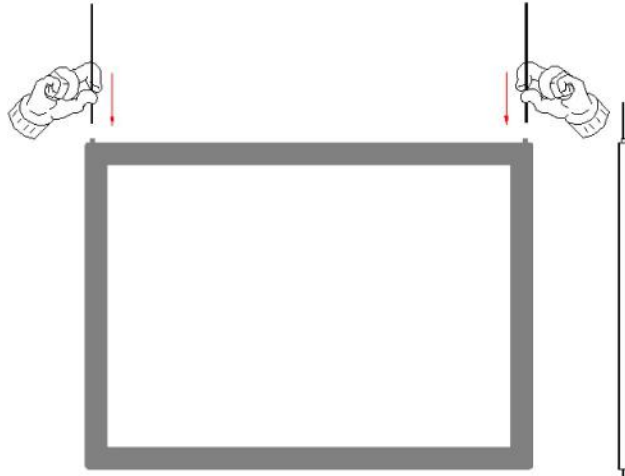


#### Notes:

1. Making sure the ceiling is insulating, and if not, you will need to add a plastic isolator;
2. Making sure the 2 top bolts on same line;
3. The distance between 2 hanging cables should be same as the hanging holes distance on light pocket.

### 2. Installing the light pockets on steel hanging wire, **Just need to insert the steel cable**

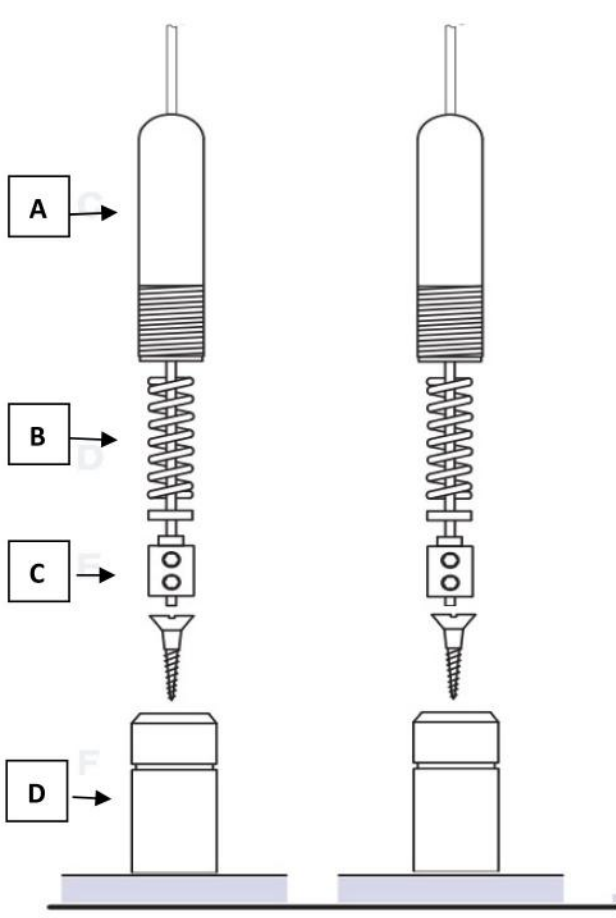
**through the light pockets holes on 2 sides.**



#### Notes:

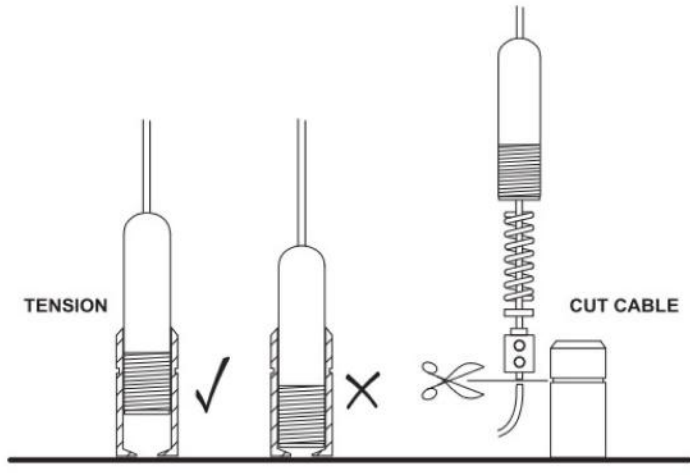
1. Please Making sure all light pockets are in same direction, Positive electrode on one side, and Negative electrode on other side.
2. You can suspend the light pocket quantity according to your requirements, but usually, we put 3pcs A3 landscape light pockets for one Column.

### 3. Fixing the Bottom Hanging Fittings



#### Steps:

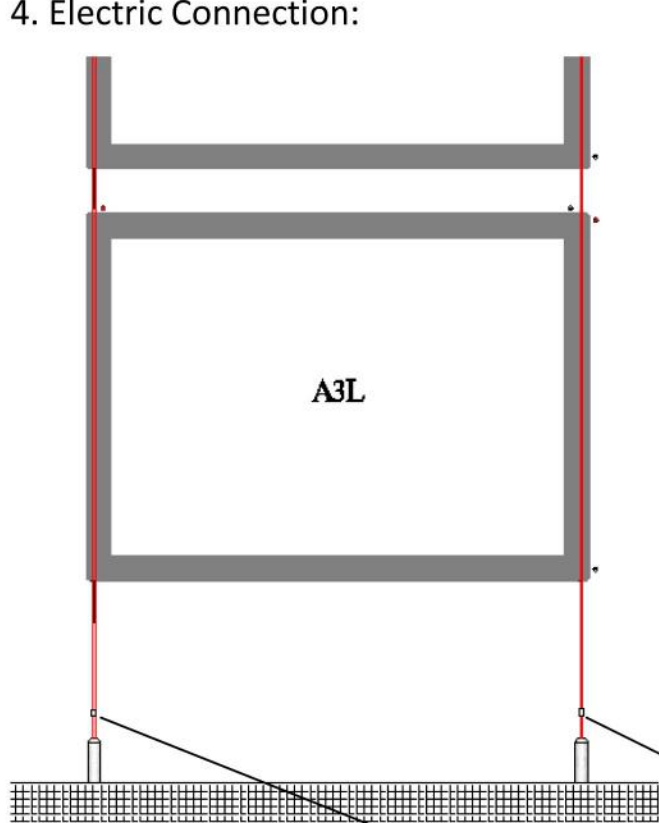
1. Fixing ( D ) On Floor with screws first;
2. Loosen the grub screws in fitting ( C ), using the Allen Wrench, and slide fittings ( A ), ( B ), and ( C ) up the cable;
3. Pull down and cut off excess cable in-line with the decorative line around fitting ( D ) ( see the picture).
4. Tighten ( C ) on the end of the cable.
5. Adjust the tension of the cable by screwing ( A ) into ( D )



#### Notes:

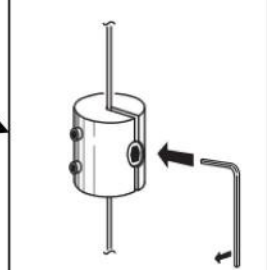
1. Making sure the floor is insulating, and if not, you will need to add a plastic isolator;
2. Making sure fixing 2 Bottom bolts on same line;
3. Cutting the steel cable in proper length, making sure the bottom bolts full of tension.

### 4. Electric Connection:

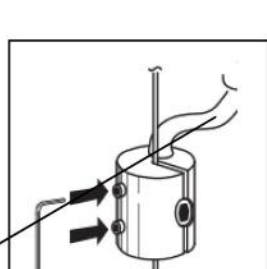


#### Steps:

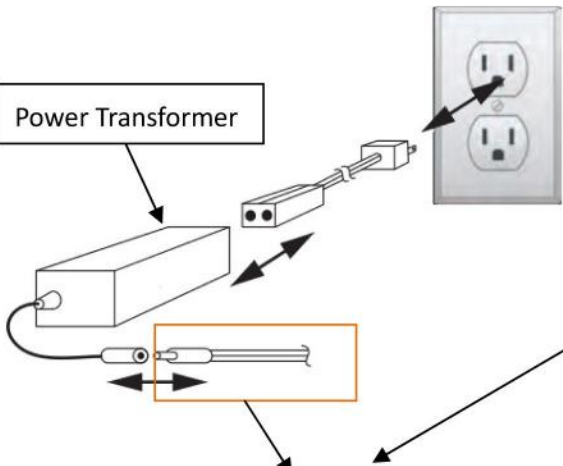
1. Fixing the Electric connectors on two side of the cables. (usually we install the connectors on bottom, but it is also ok if you need to Fixing them on the top ceiling to hid the power transformer)
2. Fixing the White DC Extension Cable on connectors.



Step 1: Fixing the connectors on the hanging steel wire.



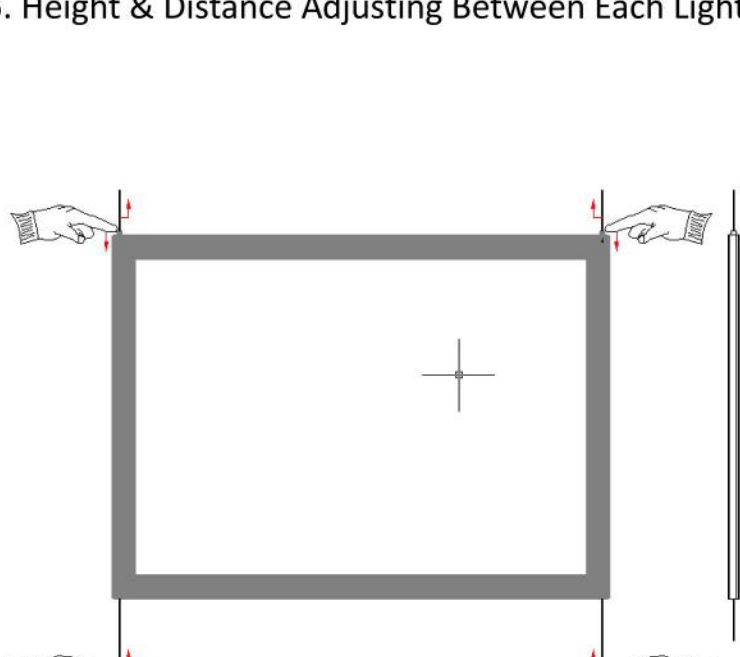
Step 2: Fixing the white Extension cable on this connectors.



#### Notes:

Making sure the power connecting correctly, the positive electrode should connect the light pocket positive electrode, and the Negative electrode should connect the light pockets negative electrode. It is very important!

### 5. Height & Distance Adjusting Between Each Light Pocket



#### Steps:

1. Pressing down and hold the "small tube" on 2 sides of the light pockets, light pocket will slid down through the hanging steel wire.
2. If you need to move up the light pocket, just pushing up from the bottom of the light pocket.

#### Notes:

1. When you press the "small tube" to move down the light pocket, please hold the light pocket with your hands to avoid the fast falling.
2. After you adjusted the height and distance, please making sure each light pocket was locked on steel hanging wire firmly