

A:(24)



B:(24)



C:φ4*15(16)



D:(1)



E:φ8*30(12)

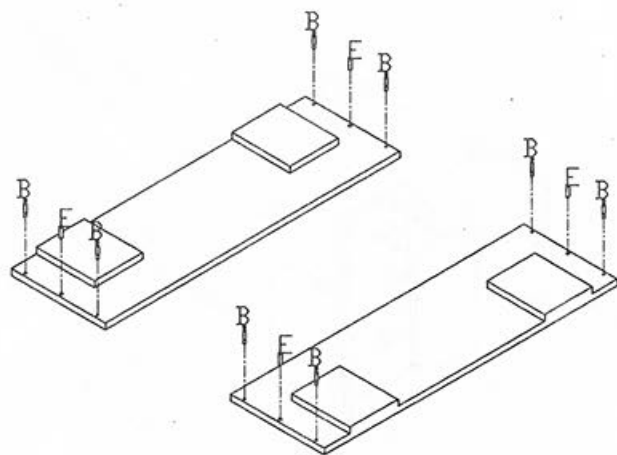


F:φ3.5*15(2)



G:(1)

1

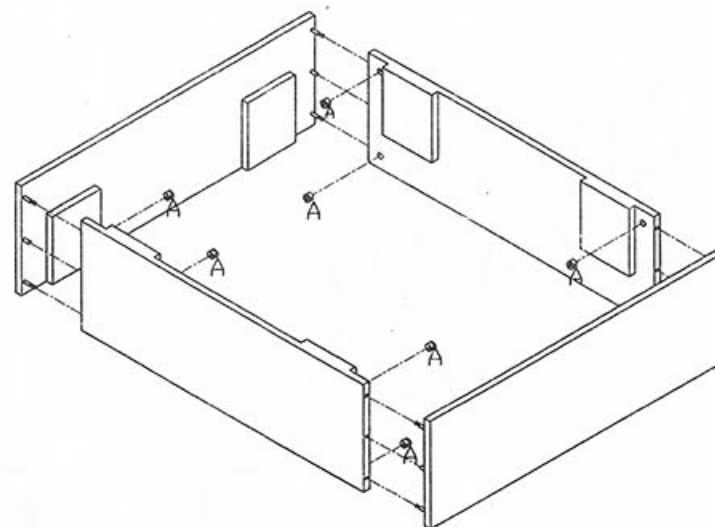


B:(8)



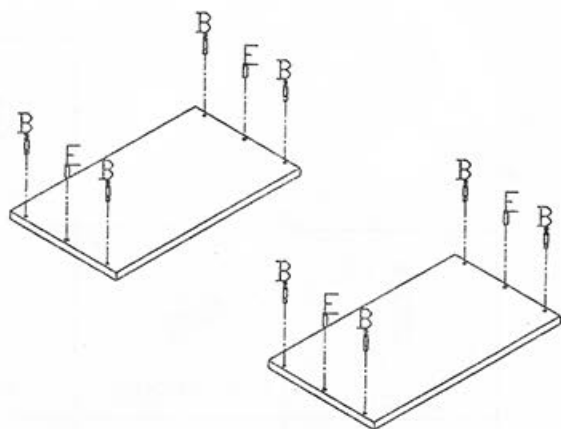
E:φ8*30(4)

2



A:(8)

3

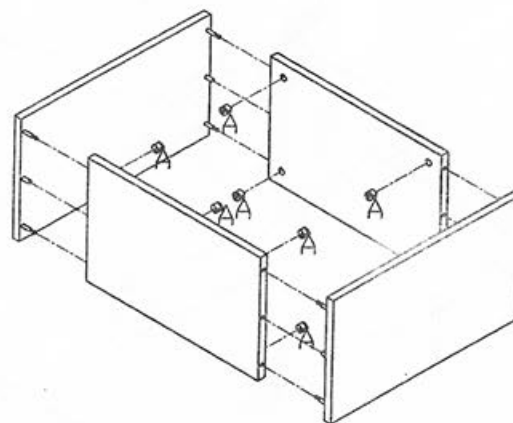


B:(8)



E:ø8*30(4)

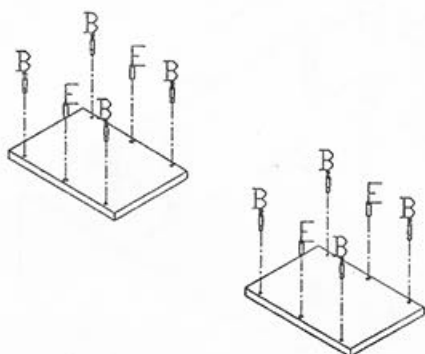
4



A:(8)

shopfitting
warehouse

5

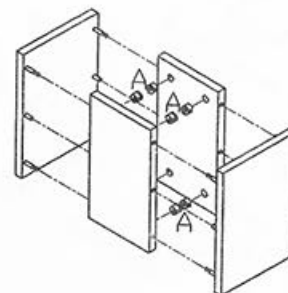


B:(8)



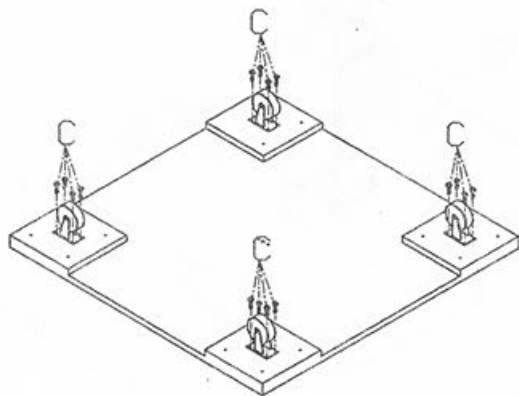
E:ø8*30(4)

6

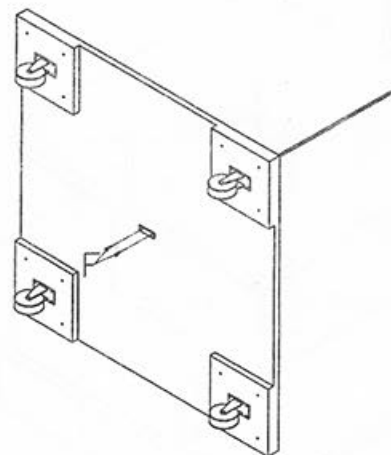


A:(8)

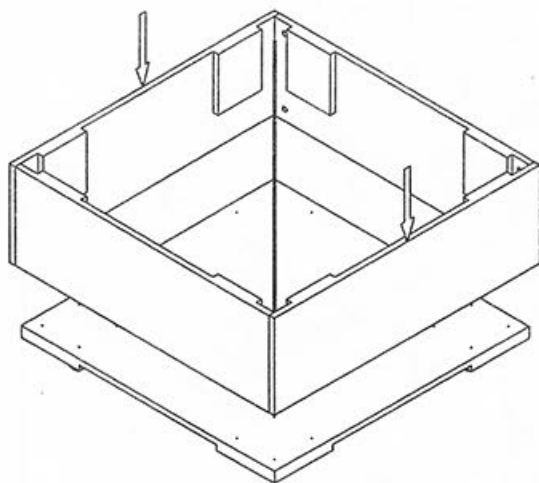
7

C: $\varnothing 4 \times 15$ (16)

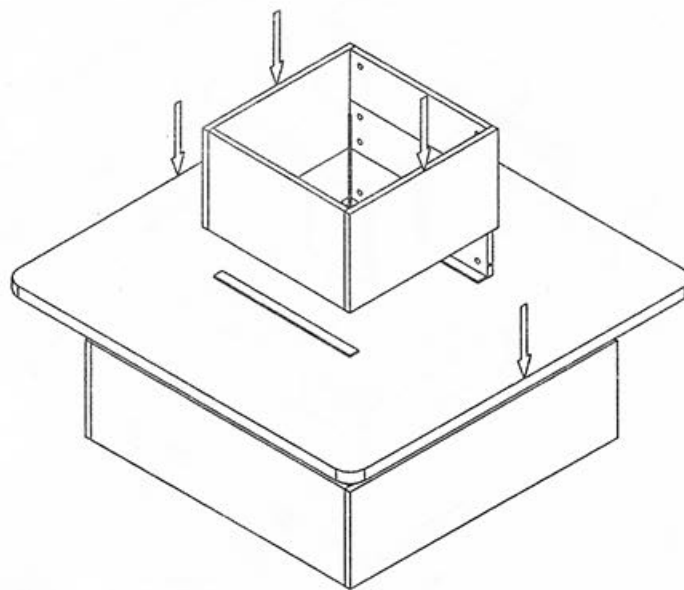
8

shopfitting
warehouseF: $\varnothing 3.5 \times 15$ (2)

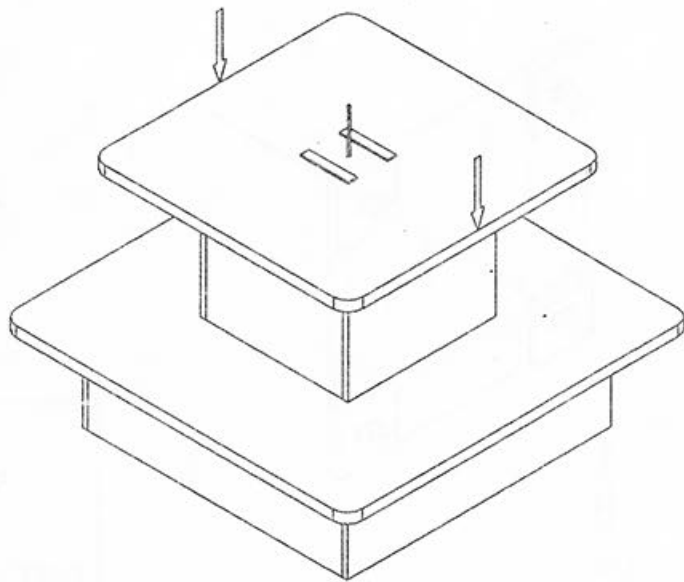
9



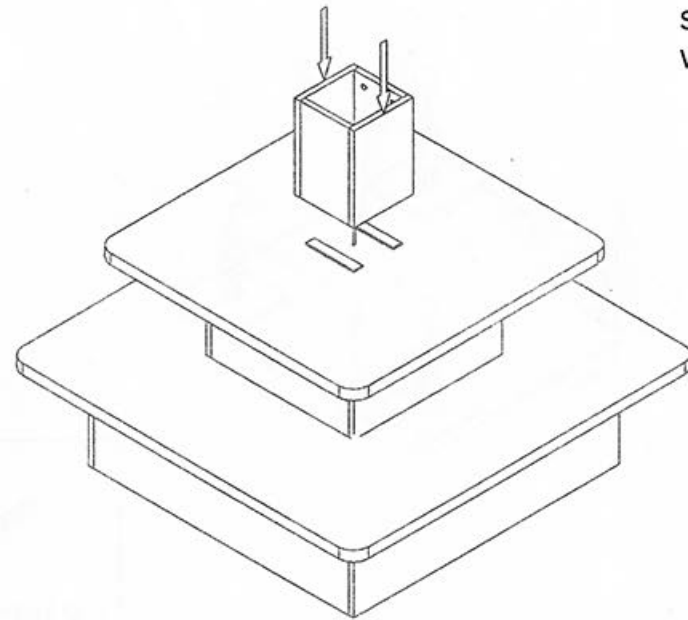
10



11

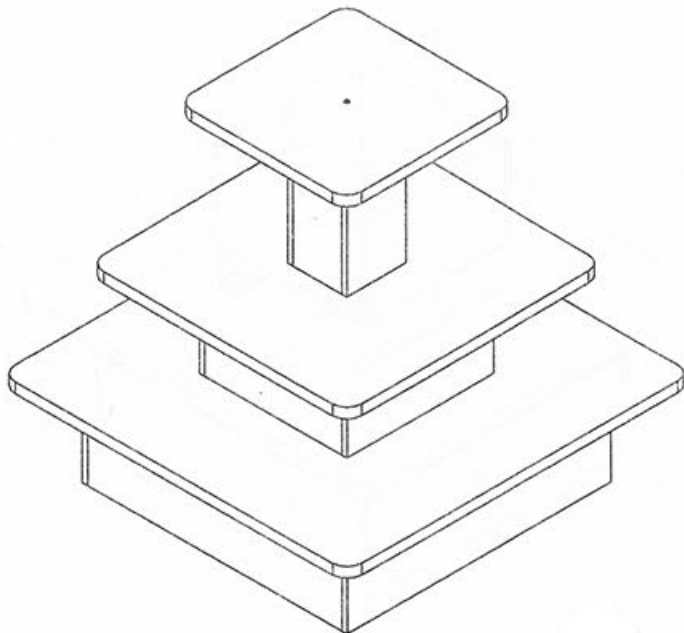


12

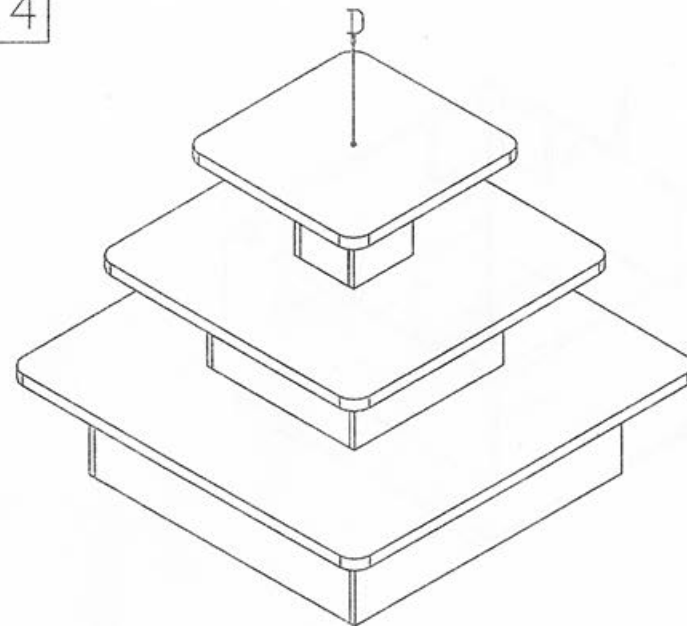


 shopfitting
warehouse

13



14



D:(1)



G:(1)