
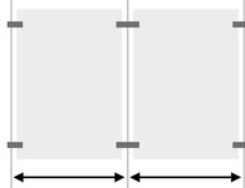
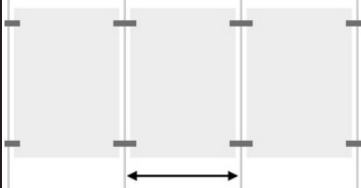


## Contents

Cable Kit Size	Top Fixings	Bottom Fixings	Cable	Single Panel Clips	Double Panel Clips	Poster Holders
W1 x H3	2	2	2 x 2 m	12	0	3
W1 x H4	2	2	2 x 2 m	16	0	4
W2 x H3	3	3	3 x 2 m	12	6	6
W2 x H4	3	3	3 x 2 m	16	8	8
W3 x H3	4	4	4 x 2 m	12	12	9
W3 x H4	4	4	4 x 2 m	16	16	12
W4 x H3	5	5	5 x 2 m	12	18	12
W4 x H4	5	5	5 x 2 m	16	24	16

## Cable Distances for Poster Holders

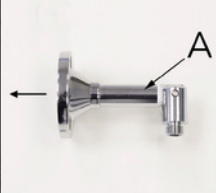
Poster Holder Size	Distance Between Outer Cables (1 Wide)	Distance Between Outer & Inner Cables (2 Wide)	Distance Between Inner Cables (3 or More Wide)
			
A5 Portrait	161 mm	162 mm	162 mm
A4 Portrait	223 mm	224 mm	224 mm
A4 Landscape	310 mm	311 mm	311 mm
A3 Portrait	310 mm	311 mm	311 mm
A3 Landscape	433 mm	434 mm	434 mm
A2 Portrait	426 mm	427 mm	427 mm
A2 Landscape	600 mm	601 mm	601 mm
A1 Portrait	600 mm	601 mm	601 mm

## Warnings

- Please choose fixings suitable for the surfaces you are attaching the cable kit to.
- If you are in any doubt, consult a qualified professional.
- Where stated, all measurements are approximate.
- Acrylic items should only be cleaned with a duster or a clean dust-free cloth.
- NEVER use detergents or other cleaning products as this can adversely affect the acrylic material.

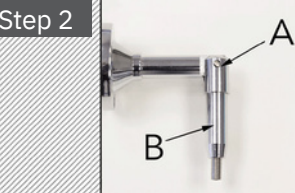
## Wall-Mount Fittings

**Step 1**




Unscrew top fixing (A) and screw to wall.

**Step 2**



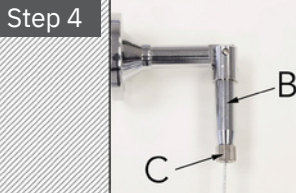
Screw part (B) onto part (A).

**Step 3**



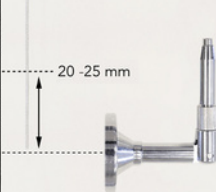
Feed the cable through part (C) and into part (B), depressing the 'clutch' to allow cable entry.

**Step 4**



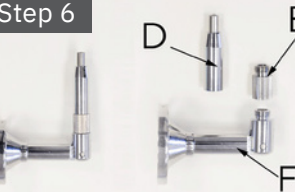
Attach part (C) to part (B) and tighten fully.

**Step 5**



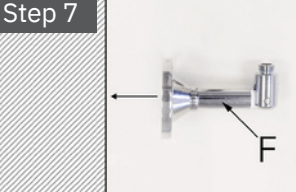
Cut the cable to the required length (usually 20 - 25 mm less than distance between fixings).

**Step 6**



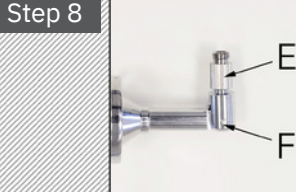
Unscrew part (D) and part (E) from part (F) N.B. Part (E) works on a reverse thread.

**Step 7**



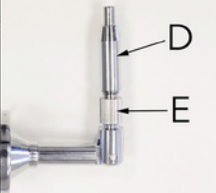
Screw part (F) to the wall/floor.

**Step 8**




Screw part (E) onto part (F) with 2 x turns anti-clockwise.

**Step 9**




Screw part (D) onto part (E) with half a turn.

**Step 10**




Feed the cable into part (D), depress the clutch to allow cable entry.

**Step 11**



Tension the cable by turning part (E) anti-clockwise whilst holding part (D) in place.

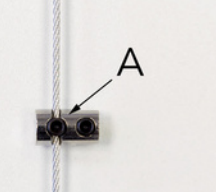
**Step 12**



Your cable kit is now ready to use.

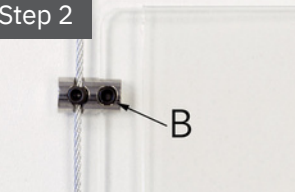
## Poster Holders

**Step 1**




Loosen grub screws in the single panel clip, position on cable and tighten grub screw (A).

**Step 2**



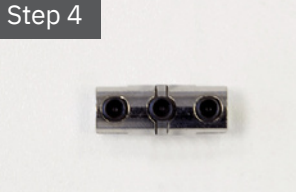
Insert poster into single panel clip and tighten grub screw (B).

**Step 3**



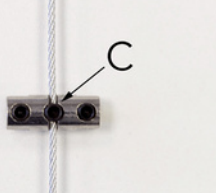
Repeat steps 1 and 2 for all outer cables.

**Step 4**



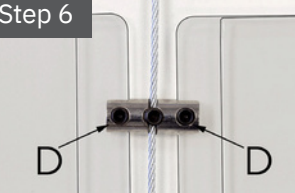
For all inner cables (kits more than 1 wide) use double panel clips.

**Step 5**




Loosen grub screws, position cable in central slot and tighten grub screw (C).

**Step 6**



Insert poster holder into either side of double panel clip and tighten grub screw (D).

**Step 7**



Repeat steps 5 and 6 for all inner cables.

**Step 8**



The finished result is now ready for your signs and posters.